

# SMT-W-E TYPE

— Two Side Cut Double-Wide Flange Pilot End Type —



## part number structure

example **SMST 25 G W UU - E - SK**

specification  
**SMT:** standard  
**SMST:** anti-corrosion

inner contact diameter (dr)

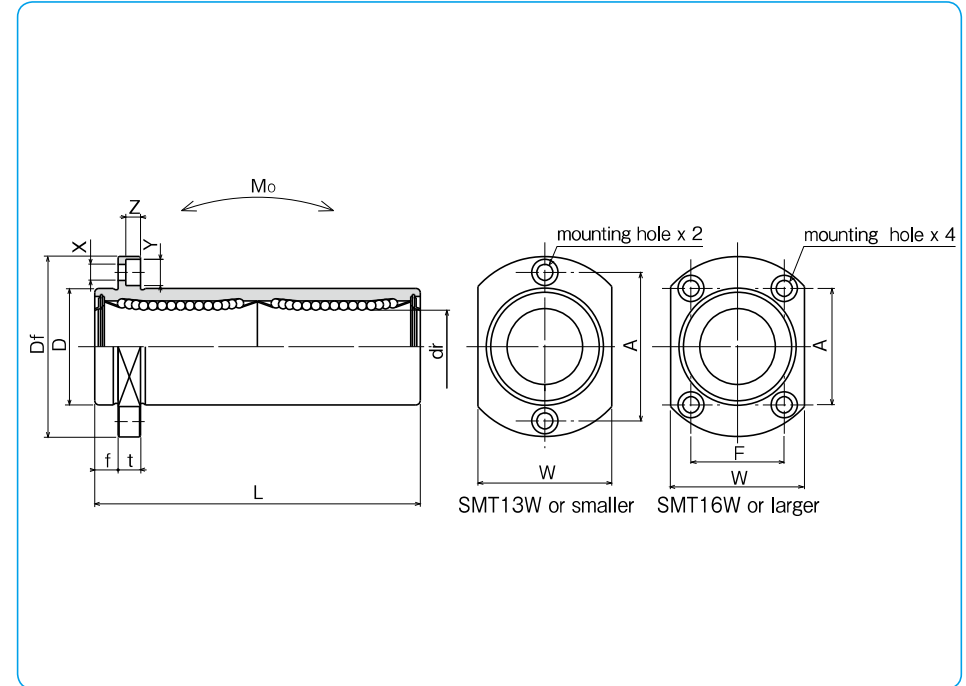
retainer material  
**blank:** standard/steel  
 anti-corrosion/stainless steel  
**G:** resin

double-wide type

outer cylinder surface treatment  
**blank:** no surface treatment  
**SK:** electroless nickel plating  
**LF:** low temperature black chrome treatment with fluoride coating  
**SB:** black oxide (not available on anti-corrosion type)  
**SC:** industrial chrome plating

with pilot end

seal  
**UU:** seals on both sides  
**ZZ:** doublelip-seals on both sides



part number*				number of ball circuits	dr mm	dr tolerance μm	major dimensions		
standard steel retainer	anti-corrosion resin retainer	anti-corrosion stainless retainer	resin retainer				D mm	D tolerance μm	L ±0.3 mm
SMT 6WUU-E	SMT 6GWUU-E	SMST 6WUU-E	SMST 6GWUU-E	4	6	0	12	0	35
SMT 8WUU-E	SMT 8GWUU-E	SMST 8WUU-E	SMST 8GWUU-E	4	8	-10	15	-13	45
SMT10WUU-E	SMT10GWUU-E	SMST10WUU-E	SMST10GWUU-E	4	10	0	19	0	55
SMT12WUU-E	SMT12GWUU-E	SMST12WUU-E	SMST12GWUU-E	4	12	-10	21	0	57
SMT13WUU-E	SMT13GWUU-E	SMST13WUU-E	SMST13GWUU-E	4	13	0	23	-16	61
SMT16WUU-E	SMT16GWUU-E	SMST16WUU-E	SMST16GWUU-E	4	16	-10	28	-16	70
SMT20WUU-E	SMT20GWUU-E	SMST20WUU-E	SMST20GWUU-E	5	20	0	32	0	80
SMT25WUU-E	SMT25GWUU-E	SMST25WUU-E	SMST25GWUU-E	6	25	-12	40	-19	112
SMT30WUU-E	SMT30GWUU-E	SMST30WUU-E	SMST30GWUU-E	6	30	-12	45	-19	123

\* Seals-on-both-sides is standard.

f mm	Df mm	flange				eccentricity μm	perpendicularity μm	basic load rating		allowable static moment N·m	mass g	shaft diameter mm	
		W mm	t mm	A mm	F mm			dynamic C N	static Co N				
5	28	18	5	20	—	3.5×6×3.1	15	15	323	530	2.18	28	6
5	32	21	5	24	—	3.5×6×3.1			431	784	4.31	47	8
6	40	25	6	29	—	4.5×7.5×4.1			588	1,100	7.24	90	10
6	42	27	6	32	—	4.5×7.5×4.1			813	1,570	10.9	102	12
6	43	29	6	33	—	4.5×7.5×4.1			813	1,570	11.6	123	13
6	48	34	6	31	22	4.5×7.5×4.1			1,230	2,350	19.7	182	16
8	54	38	8	36	24	5.5×9×5.1	20	20	1,400	2,740	26.8	247	20
8	62	46	8	40	32	5.5×9×5.1			1,560	3,140	43.4	525	25
10	74	51	10	49	35	6.6×11×6.1			2,490	5,490	82.8	645	30

1N ≅ 0.102kgf 1N · m ≅ 0.102kgf · m