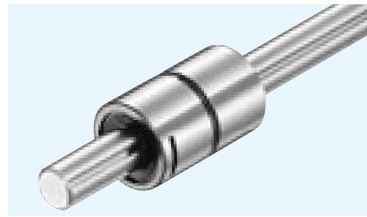


SSPM TYPE

– Keyless Spline Nut –



part number structure

example **SSPM 10-2-T1-200-P/CU**

SSPM type

nominal diameter

number of nuts attached to one shaft

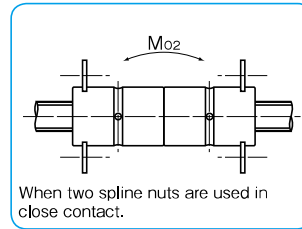
Note: retainer material is resin.

spline shaft total length

with special specification

accuracy grade
blank: high
P: precision

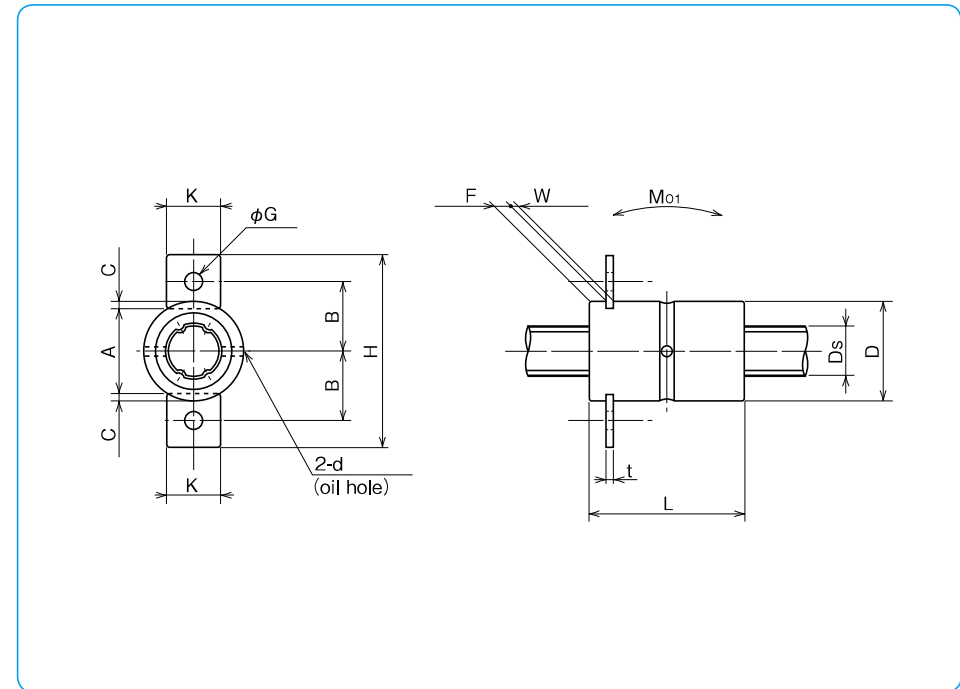
preload symbol
blank: standard
T1: light



When two spline nuts are used in close contact.

part number	major dimensions											
	D	L	F	W	C	A	d	B	H	K		
mm	tolerance μm	mm	tolerance mm	mm	mm	mm	mm	mm	mm	mm	mm	mm
SSPM 6	14	0	25	0	2.2	1.1	1.0	12.0	1	9.4	25.6	6.8
SSPM 8	16	-11	25	0	2.7	1.3	1.2	13.6	1.5	11	30.6	8.5
SSPM 10	21	0/-13	33	-0.2	2.7	1.3	1.2	18.6	1.5	13.5	35.6	8.5

Two F type lock plates per SSPM type spline nut are provided (refer to page B-15).



G	t	Ds	tolerance μm	basic torque rating		basic load rating		allowable static moment		mass		size
				dynamic C _T	static Co _T	dynamic C	static Co	Mo ₁	Mo ₂	nut	shaft	
mm	mm	mm		N · m	N · m	kN	kN	N · m	N · m	kg	kg/m	
2.9	1.0	6	0/-12	1.5	2.4	1.22	2.28	5.1	40	0.019	0.21	6
3.5	1.2	8	0	2.1	3.7	1.45	2.87	7.4	50	0.023	0.38	8
3.5	1.2	10	-15	4.4	8.2	2.73	5.07	18.0	116	0.054	0.60	10

1kN ≒ 102kgf 1N · m ≒ 0.102kgf · m