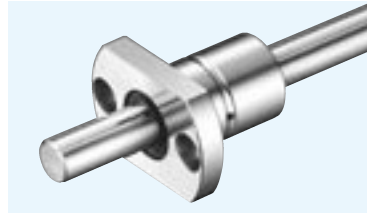


# SSPT TYPE

– Two Side Cut Flange Type –



## part number structure

example **SSPT 10-2-T1-436-P/CU**

SSPT type

nominal diameter

number of nuts attached to one shaft

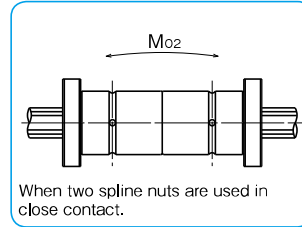
Note: retainer material is resin.

spline shaft total length

with special specification

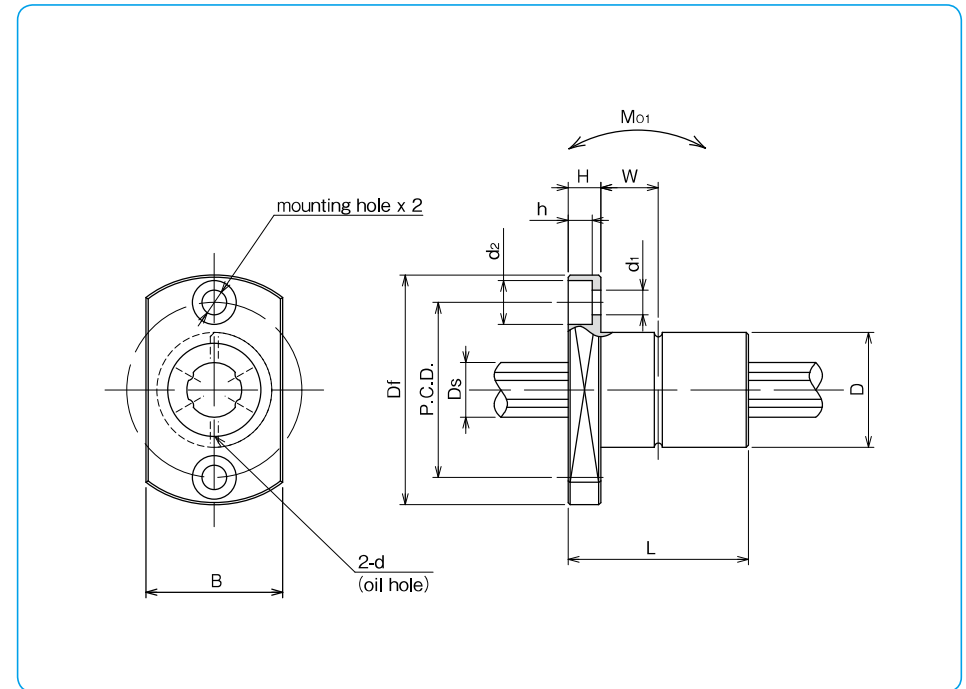
accuracy grade  
blank: high  
P: precision

preload symbol  
blank: standard  
T1: light



When two spline nuts are used in close contact.

part number	D		L		major dimensions					W
	mm	tolerance μm	mm	tolerance mm	Df	B	H	P.C.D.	d <sub>1</sub> × d <sub>2</sub> × h	
<b>SSPT 6</b>	14	0	25	0	30	18	5	22	3.4 × 6.5 × 3.3	7.5
<b>SSPT 8</b>	16	-11	25	-0.2	32	21	5	24	3.4 × 6.5 × 3.3	7.5
<b>SSPT 10</b>	21	0/-13	33		42	25	6	32	4.5 × 8 × 4.4	10.5



d	mm	Ds	tolerance μm	basic torque rating		basic load rating		allowable static moment		mass		size
				dynamic C <sub>T</sub>	static Co <sub>T</sub>	dynamic C	static Co	Mo <sub>1</sub>	Mo <sub>2</sub>	nut kg	shaft kg/m	
1	6	0/-12		1.5	2.4	1.22	2.28	5.1	40	0.029	0.21	<b>6</b>
1.5	8	0		2.1	3.7	1.45	2.87	7.4	50	0.035	0.38	<b>8</b>
1.5	10	-15		4.4	8.2	2.73	5.07	18.0	116	0.075	0.6	<b>10</b>

1kN≐102kgf 1N·m≐0.102kgf·m