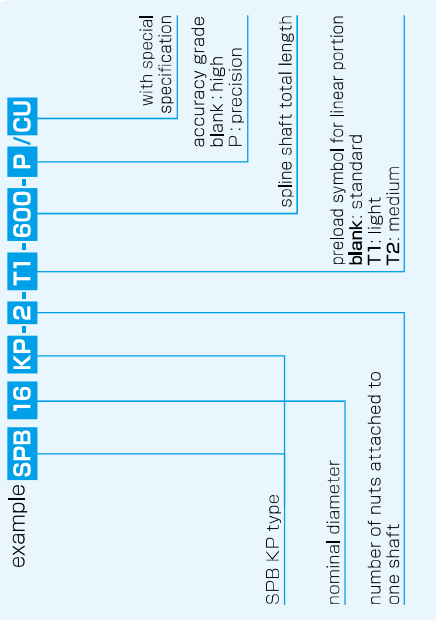


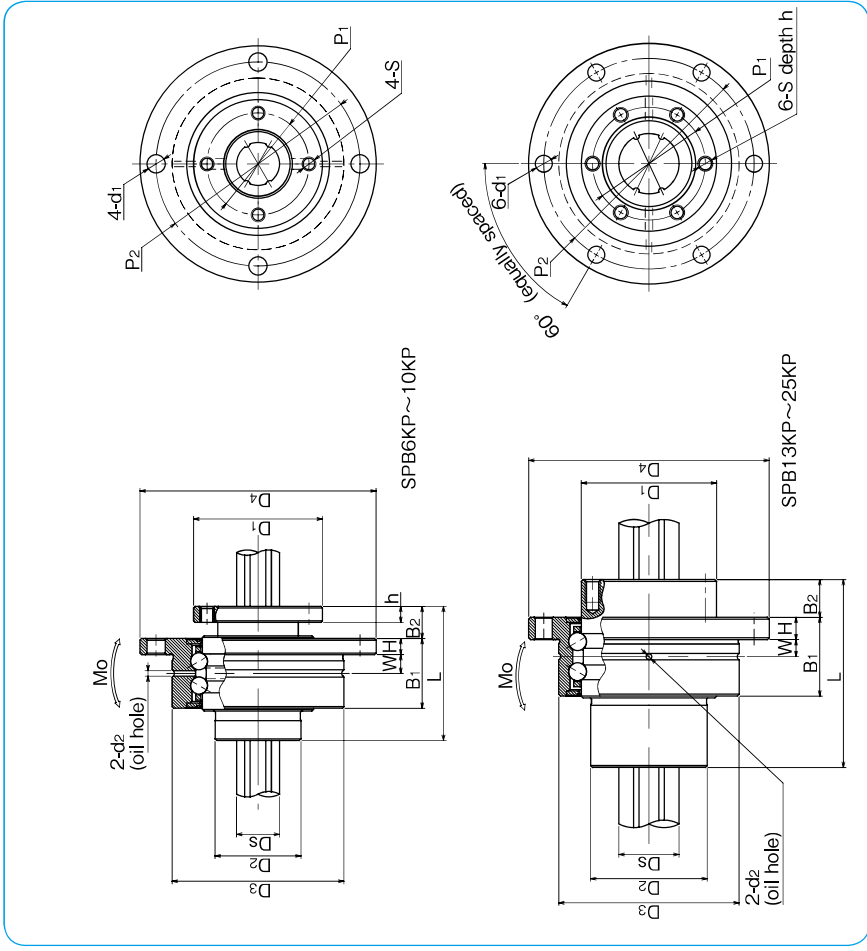
SPB-KP TYPE



part number structure



ROTARY BALL SPLINE



part number	major dimensions					major dimensions of angular contact bearing																		
	D ₁ h7 mm	D ₂ mm	L mm	P ₁ P.C.D. mm	S mm	h mm	D ₃ g6 mm	D ₄ mm	H mm	B ₁ mm	B ₂ mm	P ₂ P.C.D. mm	D ₅ mm	D ₆ mm	D ₇ mm	D ₈ mm	D ₉ mm	D ₁₀ mm	D ₁₁ mm	D ₁₂ mm	D ₁₃ mm			
SPB 6KP	20	14	25	16	M2	3	28	38	3	13	6	33	-7	38	3	13	6	33						
SPB 8KP	24	16	25	19	M2.6	3	32	44	3	13	6	38	-20	44	3	13	6	38						
SPB10KP	28	21	33	23	M3	4	36	48	3	15	9	42	-9	48	3	15	9	42						
SPB13KP	30	24	36	25	M3	5	44	56	4	18	9	50	-25	56	4	18	9	50						
SPB16KP	36	31	50	30	M4	6	48	64	6	21	10	56		64	6	21	10	56						
SPB20KP	43.5	35	63	36	M5	8	56	72	6	21	12	64	-10	72	6	21	12	64						
SPB25KP	52	42	71	44	M5	8	66	86	7	25	13	75	-29	86	7	25	13	75						

d ₁ mm	W mm	d ₂ mm	spline shaft		rotary ball spline			angular contact bearings			mass		* maximum rpm		
			D _s mm	tolerance μm	basic torque rating dynamic C _T N·m	static Co _T N·m	C kN	dynamic C _R kN	Co kN	Co _R kN	static Mo N·m	dynamic C _R kN		static Mo N·m	nut kg
2.4	3.5	1	6	0 -12	1.5	2.4	1.22	2.28	4.35	2.74	5.1	0.07	0.21	8,100	6
3.4	3.5	1	8	0	2.1	3.7	1.45	2.87	4.54	3.13	7.4	0.10	0.38	7,000	8
3.4	4.5	1	10	-15	4.4	8.2	2.73	5.07	6.86	4.82	18.0	0.14	0.60	6,200	10
3.4	5	1	13	0	21	39.2	2.67	4.89	9.45	7.01	13.7	0.23	1.0	5,000	13
4.5	4.5	1.5	16	-18	60	110	6.12	11.2	10.2	8.39	46	0.37	1.5	4,200	16
4.5	4.5	1.5	20	0	105	194	8.9	16.3	10.9	10.1	110	0.55	2.4	3,600	20
5.5	5.5	1.5	25	-21	189	346	12.8	23.4	13.7	12.9	171	0.84	3.7	3,100	25

*: Maximum revolutions for grease lubrication.